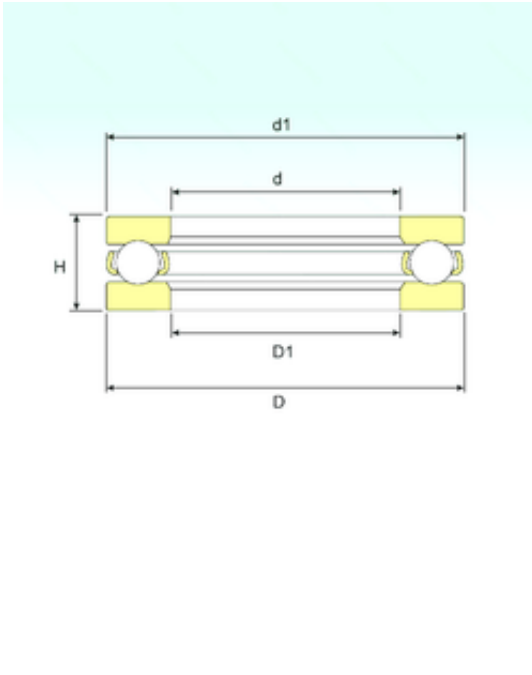




PNK palier industriel de vente.



51104 Bearing 2D drawings and 3D CAD models

ISB 51104 but é es à billes

Bearing No. 51104

Size	20x35x10 mm
Bore Diameter	20 mm
Outer Diameter	35 mm
Width	10 mm
d	20 mm
D	35 mm
H	10 mm
d1	35 mm
D1	21 mm
Weight	0,039 Kg
Basic dynamic load rating (C)	14,8 kN
Basic static load rating (C0)	28,42 kN
(Grease) Lubrication Speed	7650 r/min