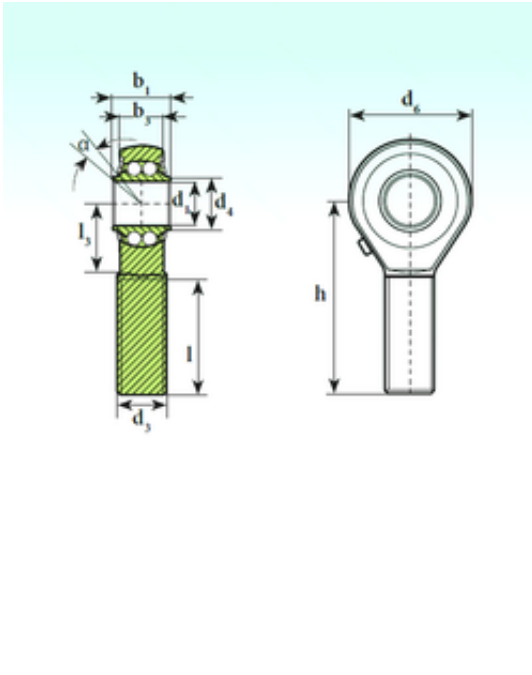




## PNK palier industriel de vente.



TSM 16 BB Bearing 2D drawings and 3D CAD models

### ISB TSM 16 BB roulements à billes auto-aligneurs

Bearing No. TSM 16 BB

Bore Diameter	16 mm
d1	16 mm
d7	27 mm
l	28 mm
b1	21 mm
d2	22 mm
d4	19 mm
d6	42 mm
h	64 mm
l1 min.	8 mm
l3 min.	22 mm
SW	22 mm
B3	15 mm
Thread (G)	M16
Angle	8 °
Weight	0,224 Kg
Basic dynamic load rating (C)	6,3 kN
Basic static load rating (C0)	2,4 kN
Limiting speed	950 r/min
Calculation factor (Y)	2,24